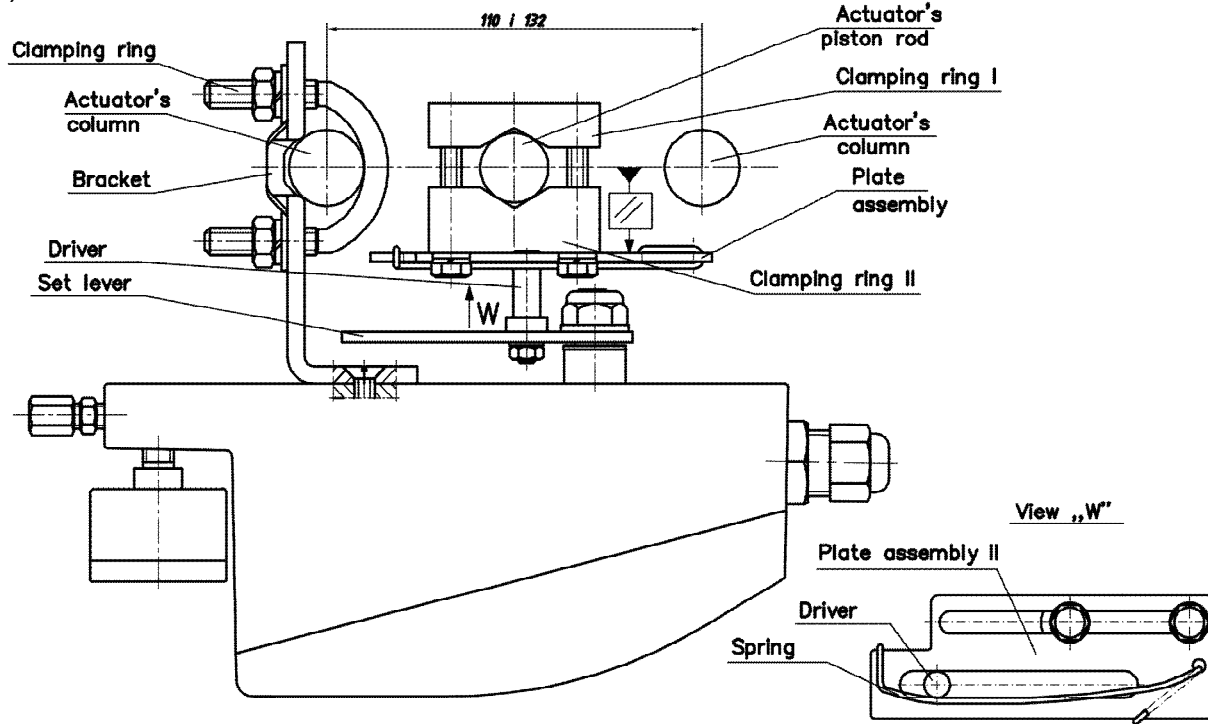


Mounting set for electropneumatically positioner type APIS

a)



b)

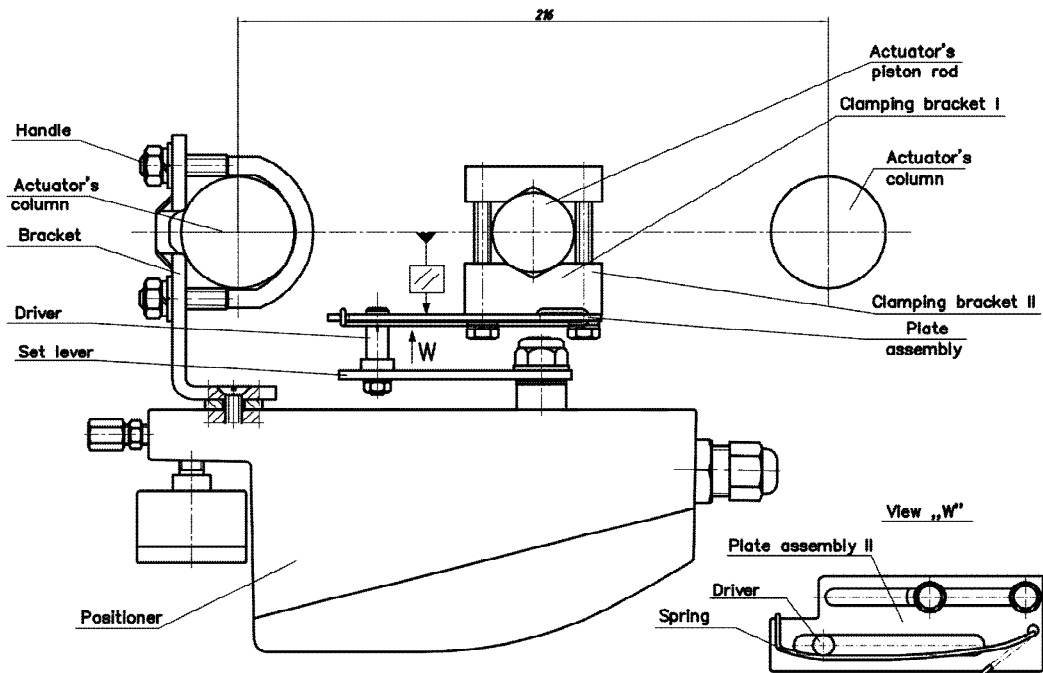


Fig.1. Positioner type APIS-1X0-... with mounting kit APIS-A0000-SS(SO) (positioner mounted on column type actuator P or R by Polna Ltd company).

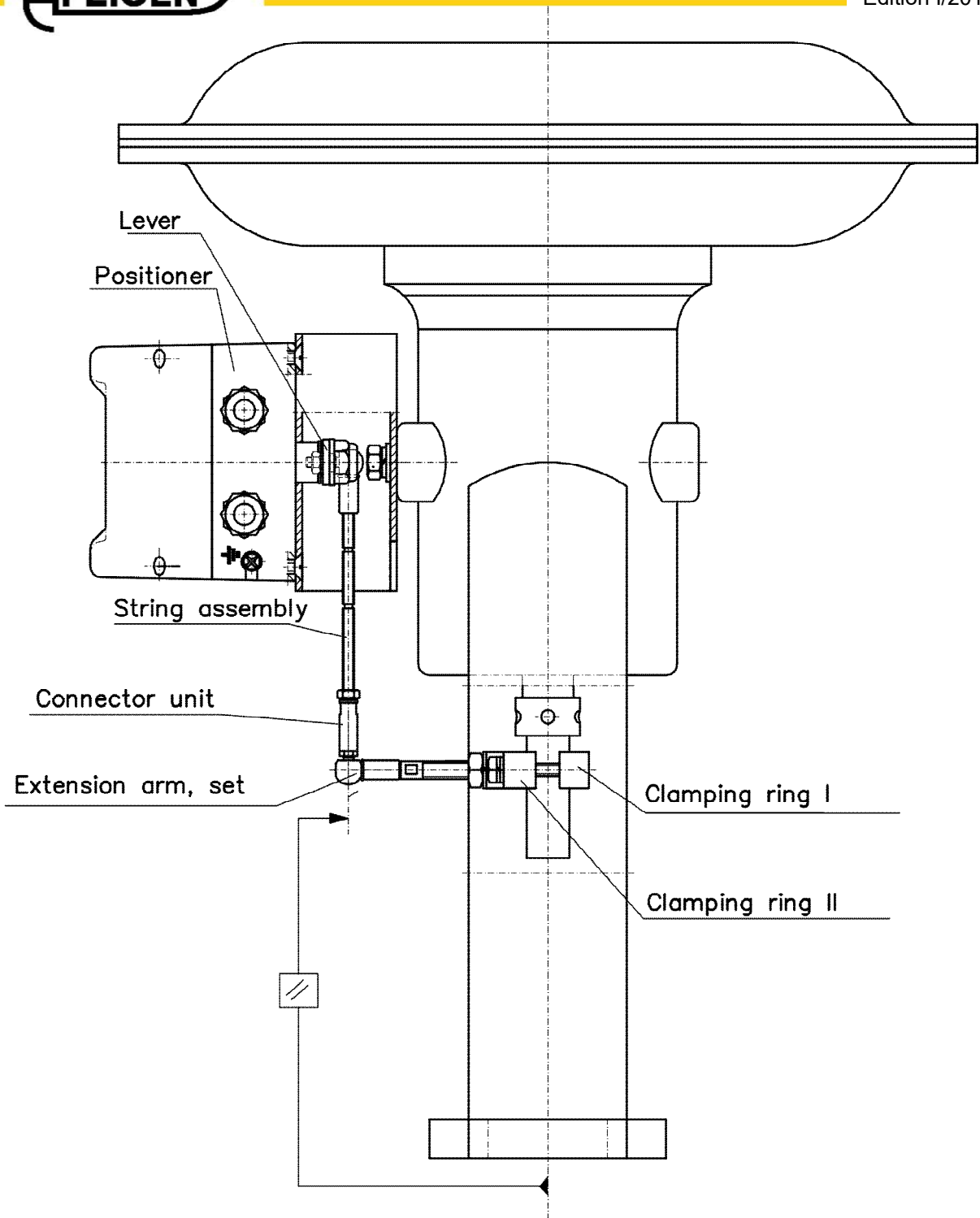


Fig.2. Positioner type APIS-1X0-... with mounting kit APIS-A0001-SS(SO) (positioner mounted on actuator type 37 or 38 Polna Ltd company)

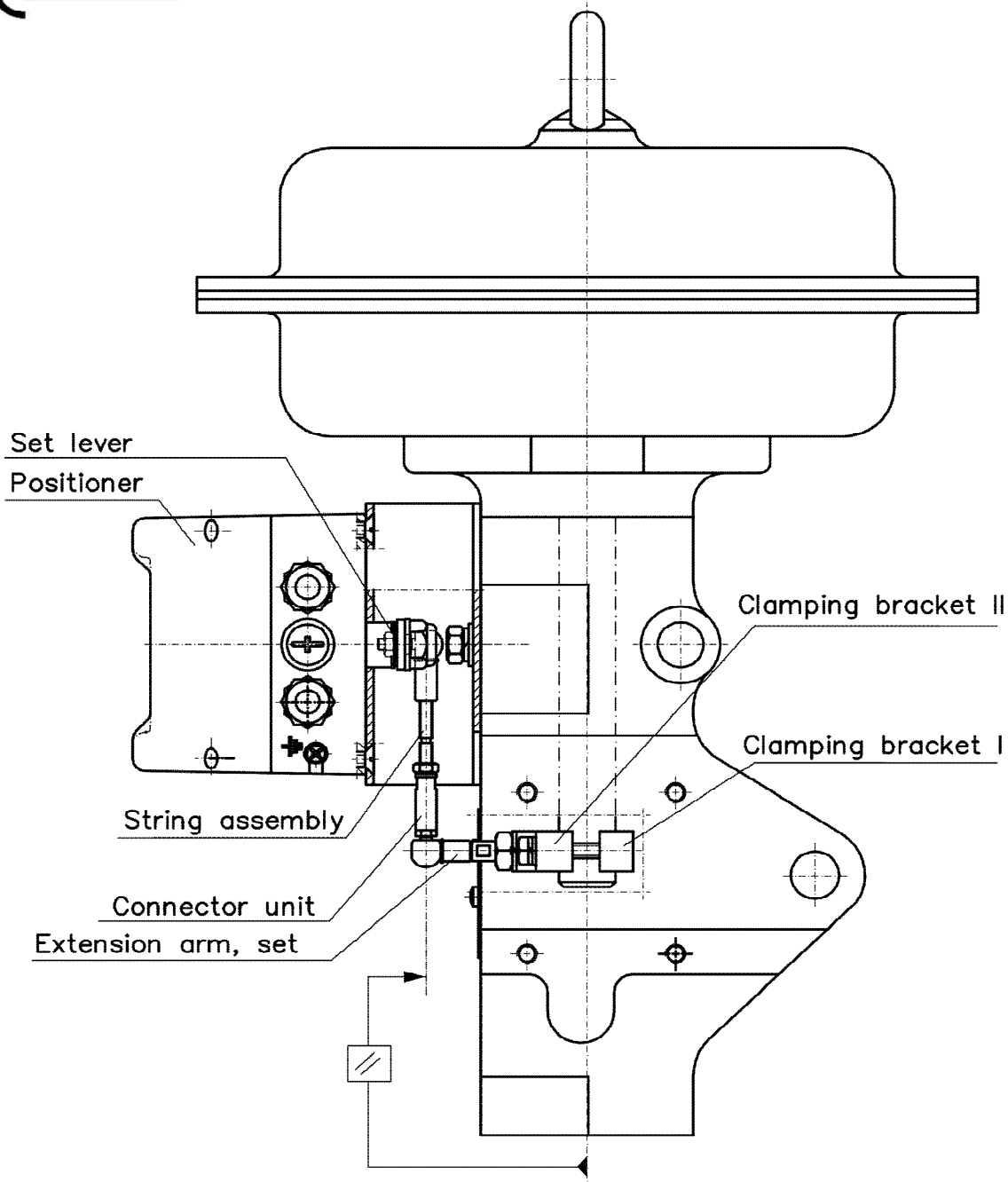


Fig.3. Positioner type APIS-1X0-... with mounting kit APIS-A0002-SS(SO) (positioner mounted on actuator type P1 or R1 Polna S.A. Ltd company)

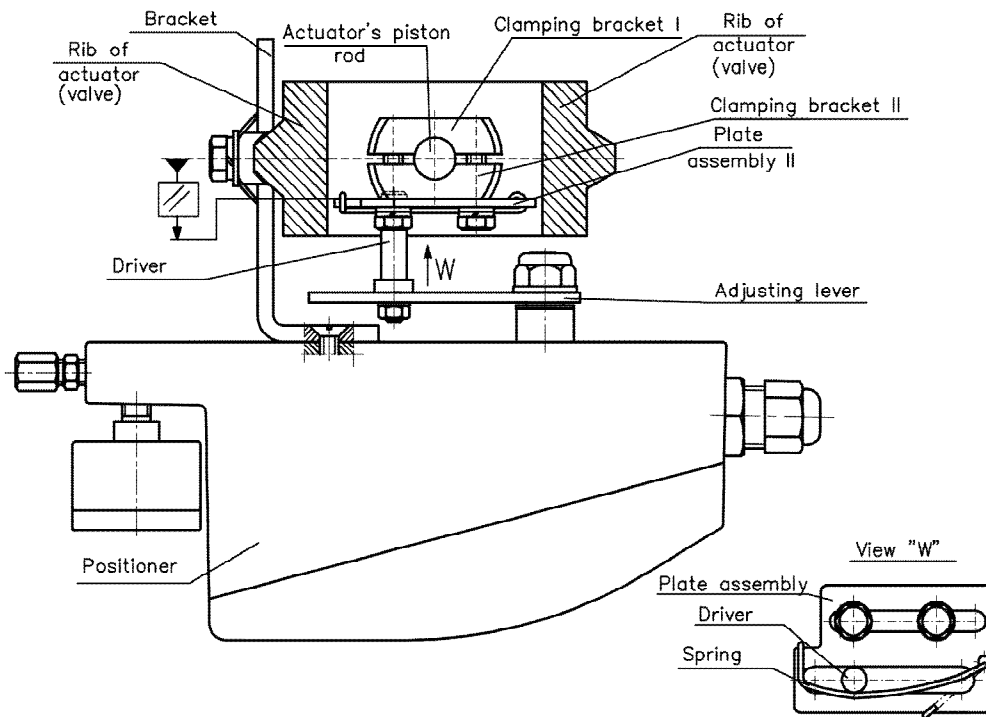


Fig.4. Positioner type APIS-1X0-... with mounting kit APIS-A0003-SS(SO) (positioner mounted on actuator with control valve – in accordance with PN-EN 60534-6-1:2001 e.g. on actuator from Samson or Arca Regler company)

Positioner type APIS mounted on single or double acting actuators.

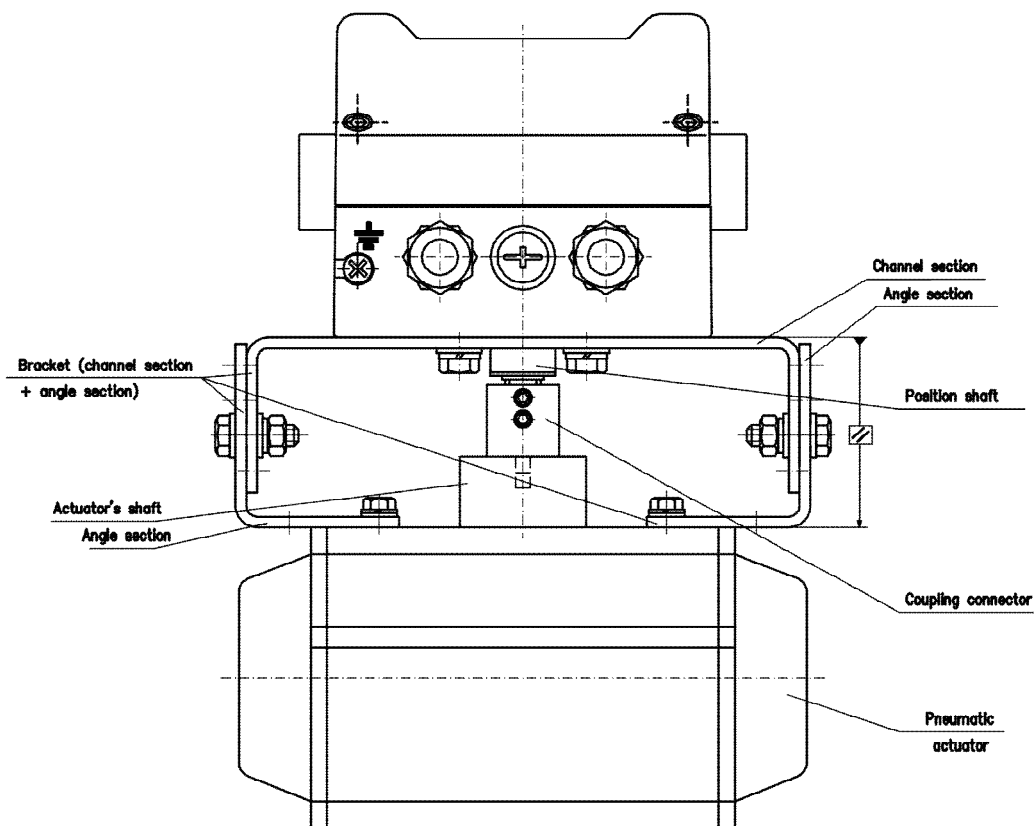
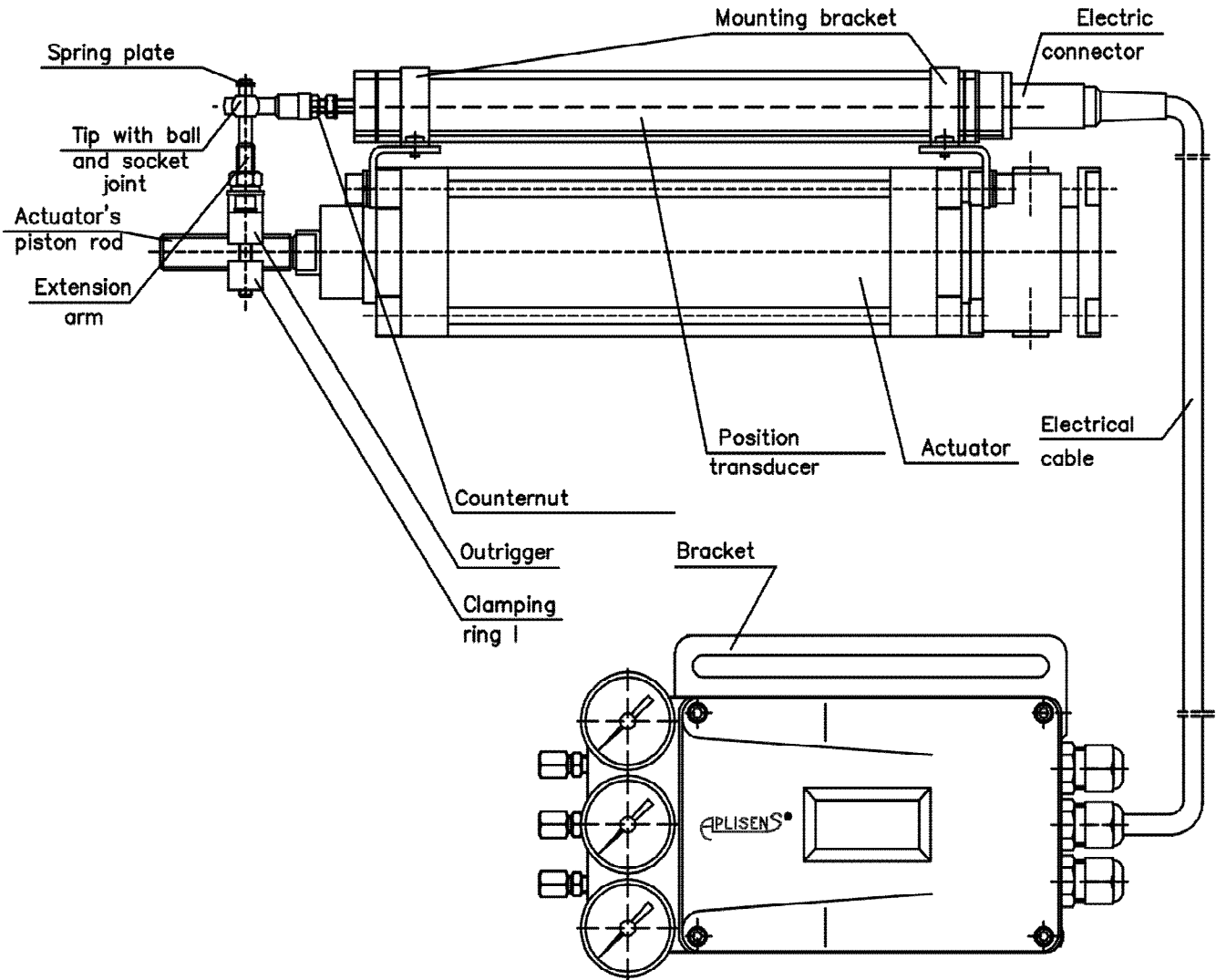
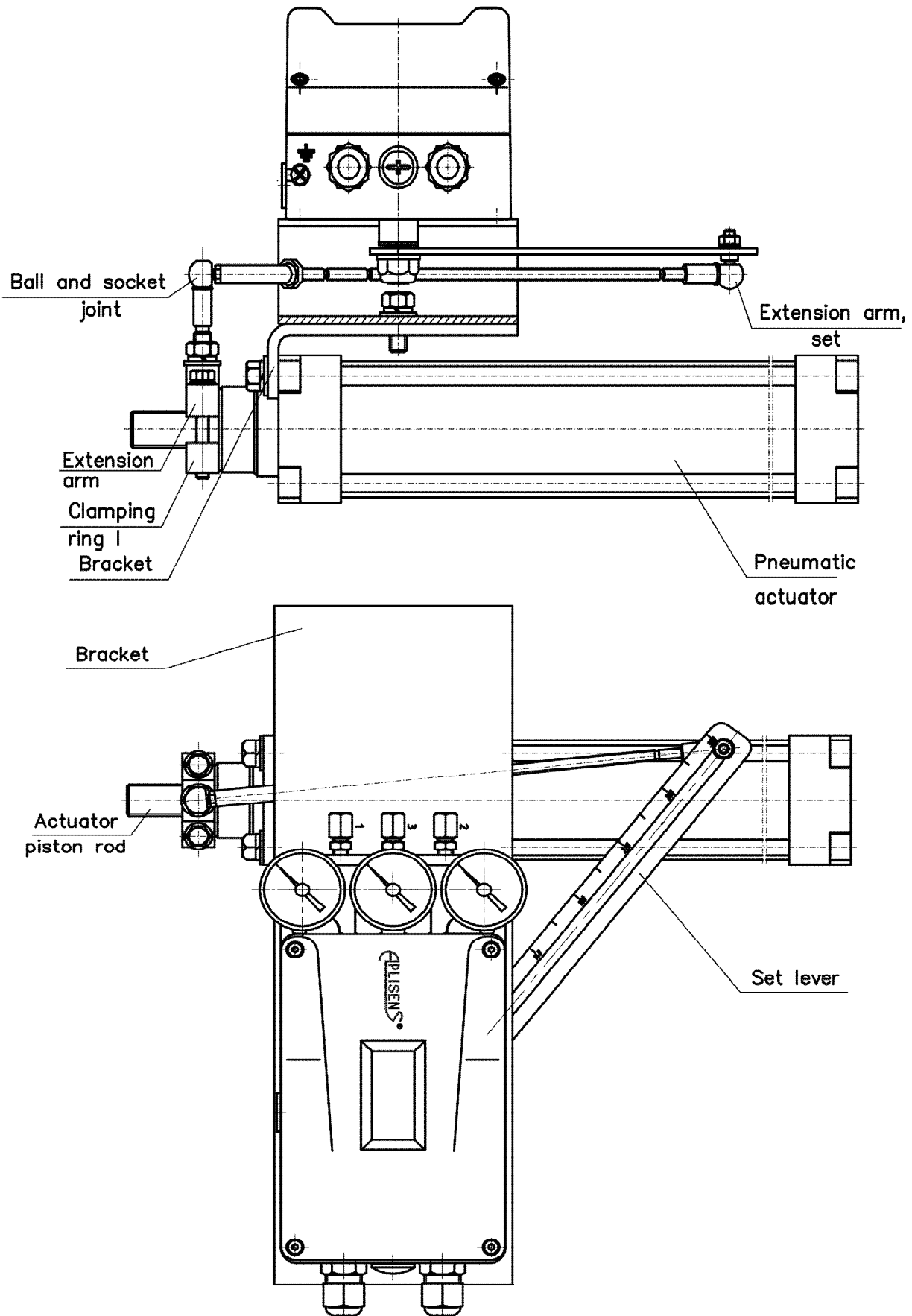


Fig.5. Positioner type APIS-1X0-... i APIS-2X0-... with mounting kit APIS-A0050-SS(SO) (positioner mounted on actuator with accordance to EN ISO 5211, DIN 3337, VDI/VDE 38450 Namur e.g.: on Air Torque, Ebro-Armaturen, El-O-Matic actuator)

Positioner type APIS mounted outside of the double action piston actuator.



**Fig.6. Positioner type APIS-2X1-... with mounting kit APIS-XXXXX-SS(SO)
 (positioner mounted outside of the double action linear actuator
 e.g.: CNOMO series actuator of PREMA Kielce company or in
 accordance to ISO 6431 (PREMA Kielce or FESTO company actuators))**



**Fig. 7 Positioner type APIS-2X0-...with mounting kit APIS-XXXX-SS(SO)
 (positioner mounted on linear double action actuator
 e.g.: CNOMO series actuators from PREMA Kielce company or with accordance
 with ISO 6431 (PREMA Kielce or FESTO actuators))**

Ordering information

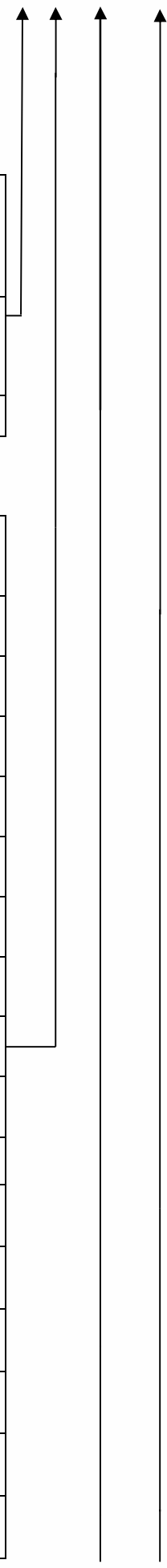
APIS-A00XX-SX

POSITIONER TYPE	SPECIFICATION AND THE TYPE OF THE PNEUMATIC ACTUATOR		
	ACTUATOR TYPE	ACTUATOR SPECIFICATION	
APIS-1X0-...	Linear diaphragm single acting actuator	Actuator mounted on the columns type P or R Polna S.A. company or type 5700 5333 Spirax Sarco company - for APIS-1X0-... see fig. 1. - for APIS-1X4-... see fig. 8 (TBD)	00
APIS-1X4-...			10
APIS-1X0-...		Yoke type actuator type 37 or 38 Polna Ltd. company - for APIS-1X0-... see fig. 2. - for APIS-1X1-... see fig. 9 (TBD)	01
APIS-1X4-...			11
APIS-1X0-...		Multispring type actuator type P1 or R1 Polna Ltd. company - for APIS-1X0-... see fig. 3. - for APIS-1X1-... see fig. 10 (TBD)	02
APIS-1X4-...			12
APIS-1X0-...		According to PN- EN 60534-6-1:2001, With actuator with regulation valve from: Samson company: - for APIS-1X0-... see fig. 4. - for APIS-1X1-... see fig. 11 (TBD)	03
APIS-1X4-...			13
APIS-1X0-...			40
APIS-1X4-...		Acc to customer specification	41
APIS-1X0-... APIS-2X0-...		According to EN ISO 5211, DIN 3337, VDI/VDE 38450 Namur e.g.: actuators from Air Torque, EL-O-Matic Ebro Armaturen companies - for APIS-1X0-... and APIS-2X0-...see fig. 5 - for APIS-1X4-... and APIS-2X4-...see fig. 12 (TBD)	50
APIS-1X4-... APIS-2X4-...		TBD	51
APIS-1X0-... APIS-2X0-...		According to customer specification	52
APIS-1X4-... APIS-2X4-...		According to customer specification	53
Material assembly kit			
Stainless steel			S
Galvanized carbon steel			O

Ordering example:

Mounting set for positioner type APIS-1X0-... intended to use with linear diaphragm single acting actuator type P1 Polna Ltd, Company, made from galvanized carbon steel .
Mounting set APIS-A0002-SO.

Ordering information c.d.

APIS-X XX XX-SX


POSITIONER TYPE	SPECIFICATION AND THE TYPE OF THE PNEUMATIC ACTUATOR			
	ACTUATOR TYPE	ACTUATOR SPECIFICATION		
APIS-2X1-... APIS-2X2-...	Linear double action actuator	According to ISO 6431: E.g.: PREMA Kielce(Poland), Camozzi, Festo company -for APIS-2X1-...and APIS-2X2-... see fig. 6 -for APIS-2X0-... see fig. 7		A
		CNOMO series. PREMA KIELCE(Poland) company for - -- APIS-2X1-... - APIS-2X2-... see fig. 6 - for APIS-2X0-... see fig. 7		C
		Accordingly to customer specification		S
		∅ actuator piston (mm): Thread on the end of the piston rod: control pressure connection holes		
		∅32 ISO 6431:M10x1,25: G1/8" CNOMO: M10: G1/8"	01	
		∅40 ISO6431:M12x1,25: G1/4" CNOMO:M16x1,5: G1/4"	02	
		∅50 ISO6431 i CNOMO M16x1,5: G1/4"	03	
		∅63 ISO 6431:M16x1,5: G3/8" CNOMO:M20x1,5: G3/8"	04	
		∅80 ISO6431 i CNOMO M20x1,5: G3/8"	05	
		∅100 ISO 6431:M20x1,5: G1/2" CNOMO:M27x2:G1/2"	06	
		∅125 ISO 6431 i CNOMO M27x2: G1/2"	07	
		∅160 ISO 6431 i CNOMO M36x2: G3/4"	08	
		∅200 ISO 6431 i CNOMO M36x2: G3/4"	09	
		∅250 ISO 6431 i CNOMO M42x2: G1"	10	
∅320 ISO 6431: M48x2: G1"	11			
APIS-2X0-...	Linear double action actuator	∅63 ISO 6431:M16x1,5: G3/8" CNOMO: M20x1,5: G3/8"	12	
		∅80 ISO 6431:M16x1,5: G3/8" CNOMO:M29x1,5: G3/8"	13	
		∅100 ISO 6431: M20x1,5: G1/2" CNOMO: M27x2: G1/2"	14	
		∅125 ISO 6431 i CNOMO M27x2: G1/2"	15	
		∅160 ISO 6431 i CNOMO M36x2: G3/4"	16	
		∅200 ISO 6431 i CNOMO M36x2: G3/4"	17	

APIS-2X1-...				Accordingly to customer specification	60
APIS-2X2-...					
APIS-2X0-...				Actuator stroke (mm)	
APIS-2X0-... APIS-2X1-... APIS-2X2-...				80	20
				100	21
				125	22
				150	23
				160	24
				200	25
				250	26
				300	27
APIS-2X1-... APIS-2X2-...				320	28
				400	29
				500	30
APIS-2X1-... APIS-2X2-...				600	31
APIS-2X1-...				Accordingly to customer specification	70
APIS-2X2-...					
Material assembly kit					
					S
					O

Ordering specification example:

Mounting set for positioner type APIS-2X1-...intended for use with linear double acting piston actuator which comply to ISO 6431 standard (cylinder diameter 100mm, thread M20x1,5, attachment holes of the control pressure G1/2", actuator stroke 125mm), mounting set material: galvanized carbon steel.

Mounting kit APIS-A0622-SO