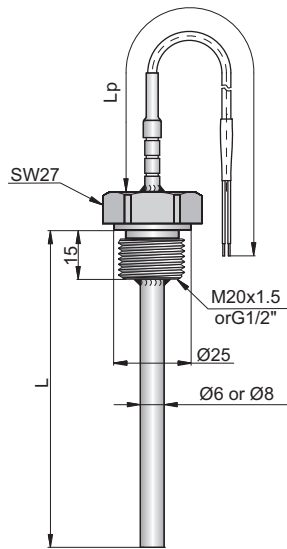
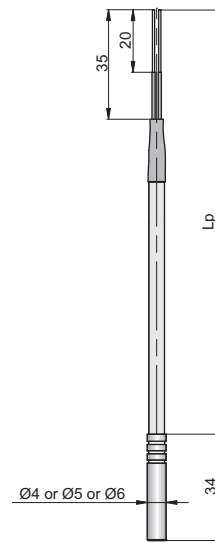


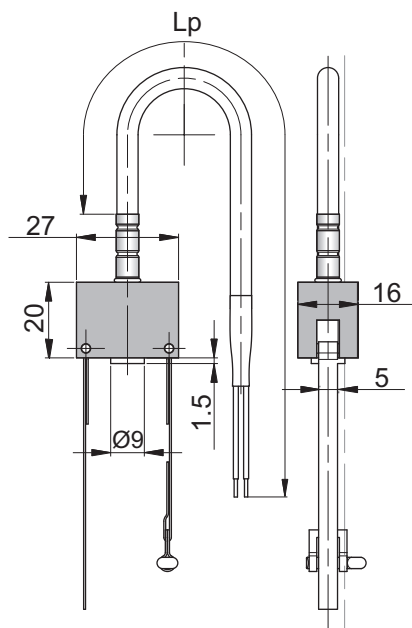
Cable temperature sensors type CT GE1, CT E1, CT R6, CT E2



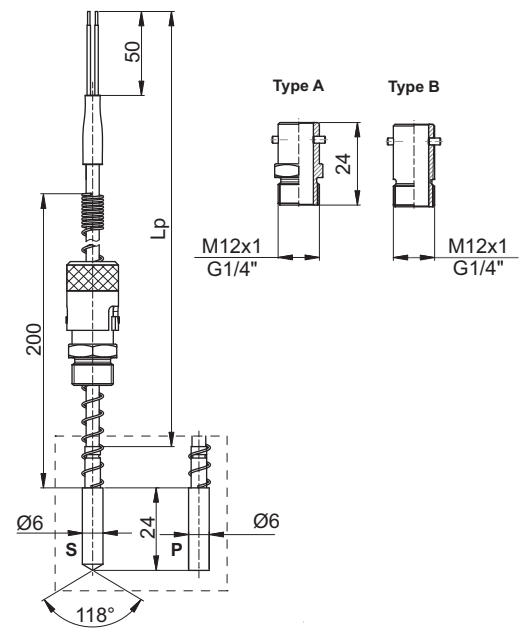
CT GE1



CT E1

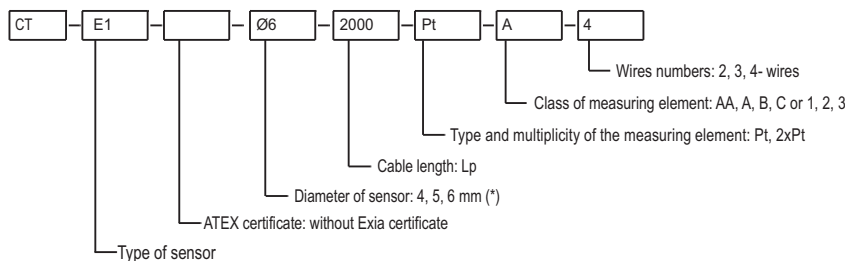


CT R6



CT E2

Ordering procedure with example of ordering code:



Certificate ATEX: I M1 Ex ia I
II 1/2 G Ex ia IIC T6
II 1D Ex iaD 20 T75°C

ADDITIONAL INFORMATION:

1.(*) Non-standard lenght on demand.