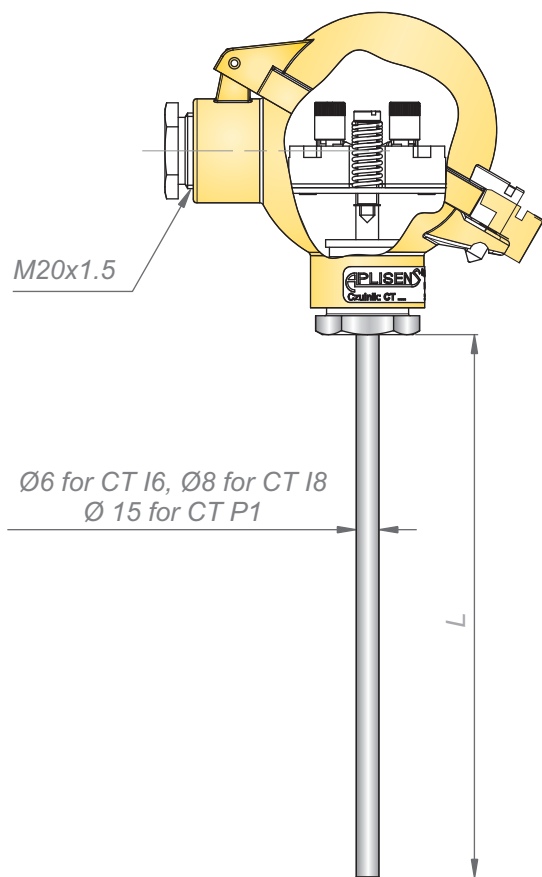


Temperature sensor type CT I6, CT I8, CT P1

now available with
BV marine certificate



TECHNICAL DATA:

- Measuring range:
Pt: -70...500°C / -196...150°C (*)
J/K: -40...550°C
- Admissible load:
max. up to 0.1MPa(****)
- Material of wetted parts:
CT I6, CT I8 - 304ss or 316Lss (**)
CT P1 - 15HM steel
- Standard immersion length
CT I6, CT I8: L=100, 160, 250, 400 mm (**)
CT P1: L=500, 700, 1000, 1400, 2000 mm(**)
- Process connection
CT I6, CT I8: movable fastener UG6, UG8
CT P1: movable fastener UG15, UC1-15
- Time constant:

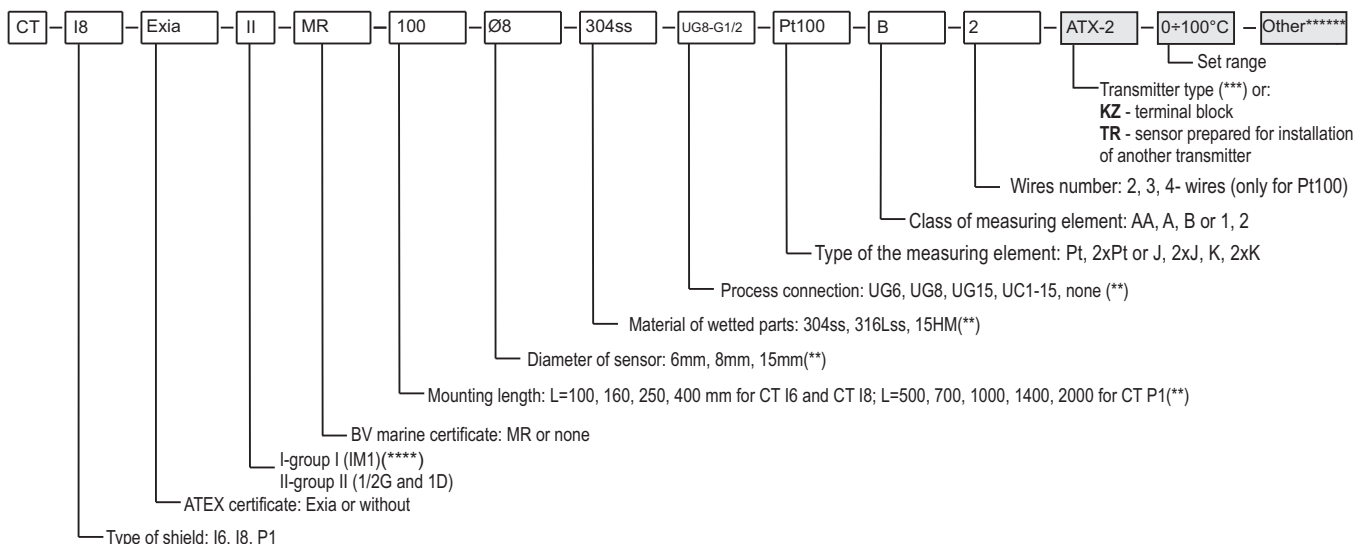
| Type of sensor | 0.5/0.9 [s] | | |
|----------------|-------------|-------------------|-------------------|
| | Pt | Isolated junction | Grounded junction |
| CT I6 | 4/ 13 | 7/ 18 | 1/ 5 |
| CT I8 | 9.5/ 28 | 10/ 25 | 1.5/ 7 |

- Minimal immersion depth:
CT I6-60 mm; CT I8-90 mm; CT P1-150 mm
- Admissible vibrations at mounting site:
5...80 [Hz] (up to 2 [g])

⊕ I M1 Ex ia I Ma

⊕ II 1/2 G Ex ia IIC T6..T1 Ga/Gb
II 1D Ex iaD 20 T75°C Da

Ordering procedure with example of ordering code:



ADDITIONAL INFORMATION:

- (*) Low temperature version: -196...150°C.
- (**) Non-standard version of temperature sensors on request.
- (***) Type of temp. transmitters: LI24-G, AT-2, GI-22-2, ATX-2, GIX-22-2 or other.
- (****) Temperature sensor for group I is produced with stainless steel housing.
- (*****) On request, we offer ERMETO sealing for higher pressures.
- (*****) Additional required parameters acc. to transmitter data sheet.