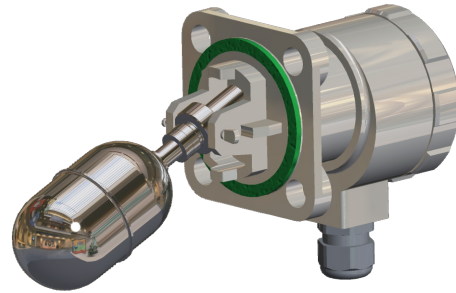


# Float level switch ERH-SMALL

- ✓ **Small in-tank dimensions**
- ✓ **Standard flanged mounting 92x92**
- ✓ **High reliability switching**
- ✓ **Several options e.g. fully stainless steel, IP66/IP68, ATEX**



## Description

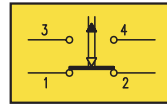
The limit level signalling or two-term liquid level control in the open or closed pressure tanks. The level switches can operate in neutral liquids, or aggressive ones not acting on stainless steel (316 SS).

## Technical data

Minimum S.G.	0,70 g/cm <sup>3</sup>
Maximum pressure	4,0 MPa
- for operation at full submersion	0,2 MPa
Operating temperature	80°C
- for operation at full submersion	70°C
Ambient temperature	-25 °C...+ 70°C
Electric rating	
- standard versions	400 V AC; 10A 220 V DC; 0,6A
- Ex versions	230 V AC; 2,5A 220 V DC; 0,3A
Hysteresis	20mm
- Ex versions	15mm
Protection enclosure	IP66
- for operation at full submersion	IP68
Wetted parts material	316L SS
Housing material	Al alloy or 316 SS (see table)
Weight	1,8kg or 2,6kg (fully SS)

## Microswitches

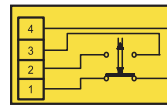
Electrical diagram standard version:  
ERH-01-06- and -07



Microswitch **83 140**  
(silver plated contacts)



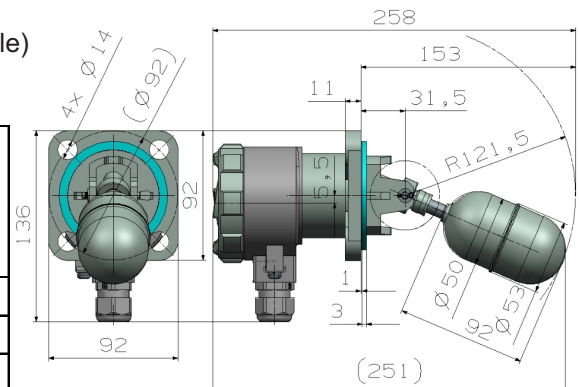
Electrical diagram Ex version:  
ERH-01-16- and -16.1-



Microswitch Ex version  
**ER3-1536**



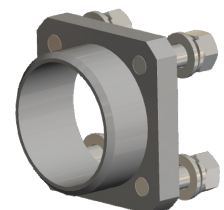
## Dimensions



For mounting ERH-SMALL we suggest to use the counter flanges (optional equipment):

- **ER2-1646-1** (carbon steel)
- **ER2-1646-2** (stainless steel)

Screws and nuts in set.



## Ordering

Code	Wetted parts	Housing	Protection	ATEX Certificate
ERH-01-06-SMALL	316L	Al alloy	IP66	
ERH-01-06-K-SMALL	316L	316	IP66	
ERH-01-07-SMALL	316L	Al alloy	IP68	
ERH-01-07-K-SMALL	316L	316	IP68	
ERH-01-16-SMALL	316L	Al alloy	IP66	☑
ERH-01-16-K-SMALL	316L	316	IP66	☑
ERH-01-16.1-SMALL	316L	Al alloy	IP68	☑
ERH-01-16.1-K-SMALL	316L	316	IP68	☑

\* ATEX II 1/2G c Ex de IIB T4 Ga/Gb

## Order example

Fully stainless steel level switch with IP68 housing protection degree, including stainless steel counter flange: **ERH-01-07-K-SMALL + ER2-1646-2**