



Main Features

- Stainless Steel case and copper alloy socket
- Ranges up to 10,000 psi
- Liquid-filled for applications with pulsations or vibrations

Applications

- Adverse service conditions where pulsation or vibration exist
- Hydraulics
- Compressors
- Pneumatics
- Pumps
- Diesel Engines
- Suitable for gaseous or liquid media that will not obstruct the pressure system

Technical Data

Nominal size	MAX3: 2.5" MAX5: 4"
Measurement range	Vacuum/Compound - 10,000 psi
Pressure limitation	Steady : 75% of full scale value Fluctuating : 65% of full scale value Short time : 100% of full scale value
Accuracy	2.5": +/- 1.6% of span 4": +/- 1.0% of span
Protection rating	IP 65
Process Connection	MAX: Copper Alloy
Bourdon tube	MAX: Copper Alloy - pressures <6,000 psi Stainless Steel - pressures >6,000 psi
Case	Stainless Steel

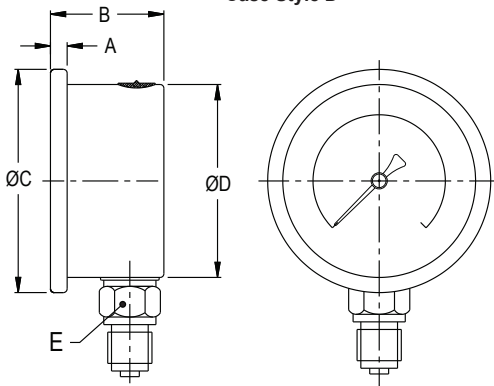
Movement	Copper Alloy
Window	Acrylic
Window gasket	Elastomer
Dial	Aluminium, white
Pointer	Aluminum, black
Temperature	Ambient : -4°F ...+140°F (-20°C...+60°C) - Glycerin Filled -40°F...+140°F (-40°C...+60°C) - Silicone Filled Medium : max. +140°F
Thermal drift	± 0.4% F.S. / 10 K (reference : 20°C)

Options

Restrictor screw Ø 0.3	Code 0769
Oxygen Cleaned	Code 0765
Dual Scale Dial	Code 9712
Customer Specific Logo	Code 9710

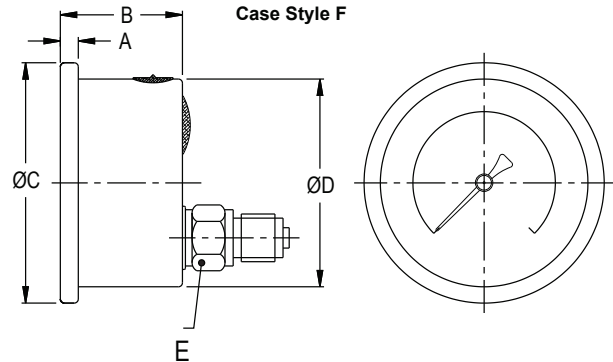
Dimensions - Types of mounting

Case Style D



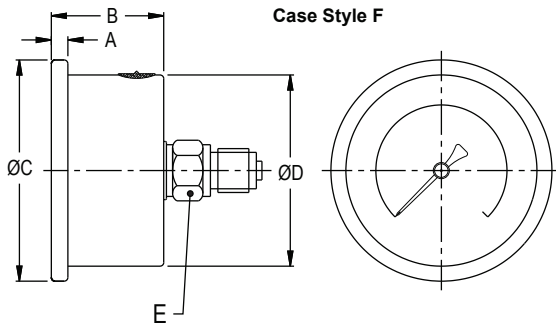
NS	A	B	ØC	ØD	E	Weight in gram (With Box)	Weight in gram (With Glycerin & Box)
63	6.5	30	68	62.5	A/F 14	155.0	215.0
100	7	35.5	110	100	A/F 17	390.0	500.0

Case Style F



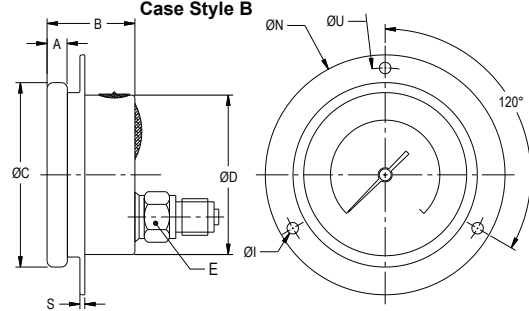
NS	A	B	ØC	ØD	E	Weight in gram (With Box)	Weight in gram (With Glycerin & Box)
100	7	35.5	110	100	A/F 17	410.0	520.0

Case Style F



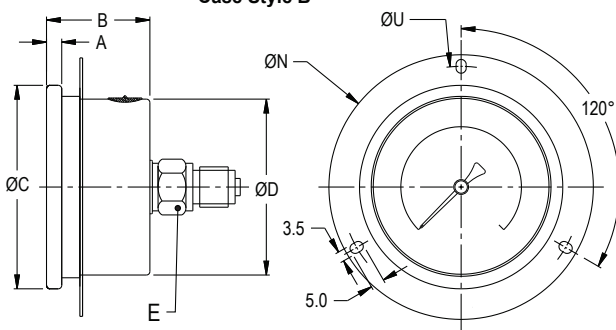
NS	A	B	ØC	ØD	E	Weight in gram (With Box)	Weight in gram (With Glycerin & Box)
63	6.5	30	68	62.5	A/F 14	155.0	215.0

Case Style B



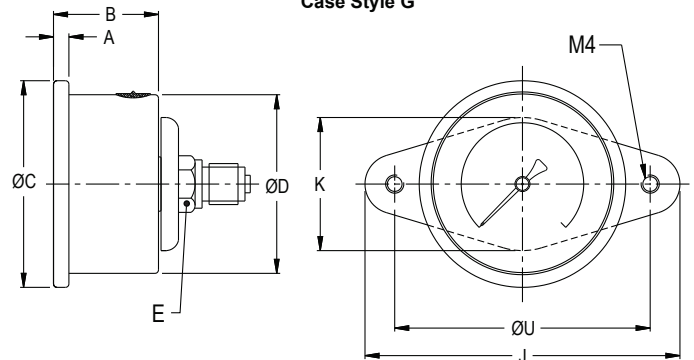
NS	A	B	ØC	ØD	E	S	ØI	ØN	ØU	Weight in gram (With Box)	Weight in gram (With Glycerin & Box)
100	9	35.5	100	110	A/F 17	1	6	134	118	460.0	570.0

Case Style B



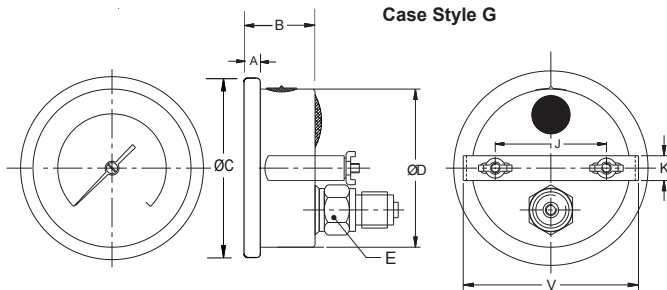
NS	A	B	ØC	ØD	E	ØN	ØU	Weight in gram (With Box)	Weight in gram (With Glycerin & Box)
63	6.5	30	68	62.5	A/F 14	85.5	76	216.0	276.0

Case Style G

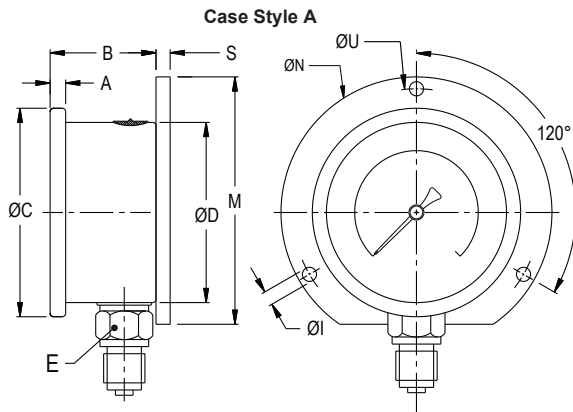


NS	A	B	ØC	ØD	E	J	K	ØU	Weight in gram (With Box)	Weight in gram (With Glycerin & Box)
63	6.5	30	68	62.5	A/F 14	91	38	70.5	195.0	255.0

Dimensions - Types of mounting



NS	A	B	ØD	ØC	E	J	K	V	Weight in gram (With Box)	Weight in gram (With Glycerin & Box)
100	7	35.5	100	110	A/F 17	66.5	16	106	550.0	670.0



NS	A	B	ØC	ØD	E	S	ØN	ØI	ØU	M	Weight in gram (With Box)	Weight in gram (With Glycerin & Box)
63	6.5	30	68	62.5	A/F 14	6	134	5	76	80	195.0	255.0
100	7	35.5	110	100	A/F 17	4	150	6	118	128	465.0	575.0

Pressure ranges

Code	psi	Code	psi
H59	-30" Hg ... 0	H21	0 ... 100
H73	-30" Hg ... 15	H22	0 ... 160
H75	-30" Hg ... 30	H23	0 ... 200
H2C	-30" Hg ... 60	H25	0 ... 300
H78	-30" Hg ... 100	H26	0 ... 400
H79	-30" Hg ... 150	H27	0 ... 600
H81	-30" Hg ... 220	H30	0 ... 1 000
H82	-30" Hg ... 300	H31	0 ... 1 500
H15	0 ... 15	H34	0 ... 3 000
H1C	0 ... 20	H38	0 ... 6 000
H17	0 ... 30	H40	0 ... 10 000
H19	0 ... 60		

Ordering details - MAX3 - MAX5

		-		.	XXX
Model	All stainless steel pressure gauge	MAX			
Nominal size	2.5 in.		3		
	4 in.		5		
Type of mounting					
	Bottom Connection Back Flange				A
	Back connection, front flange, 3 mounting holes				B
	Bottom connection				D
	Back connection				F
	Back connection with clamp				G
Process connection					
	1/4 NPT				▶ 5
	1/2 NPT				▶ 6
Fill					
	Dry				▶ 0
	BH2 : high viscosity glycerin 99.5% (medium : 0 ... +90°C)				2
	BH1 : low viscosity glycerin/water 86% (medium : -20 ... +70°C)				1
	BH3 : silicone oil (medium : -40 ... +100°C)				3
Unit of measurement / Pressure ranges					
	psi				▶ Hxx

Ordering example

