

Overview

- For corrosive gasses and liquids
- Class 1.6 according to EN 837-1
- Safety version S3 according to EN 837-1
- Wetted parts: Stainless steel
- Option: Liquid-filled for applications with pulsations or vibrations
- Option: IP67 with internal compensation membrane



Picture similar



Technical data

Housing

| | |
|------------------------------|--|
| Nominal size | 63 mm |
| Case material | Stainless steel 1.4404 / AISI 316L |
| Bezel ring material | Stainless steel 1.4404 / AISI 316L |
| Window material | Laminated safety glass Polycarbonate, optional |
| Window gasket | Elastomer |
| Protection rating (EN 60529) | IP65 IP67 with compensation membrane (0763) |
| Dial | White, aluminium |
| Pointer | Black, aluminium |
| Movement material | Stainless steel |
| Safety according to EN 837-1 | S3 Safety pattern gauge with solid front and pressure relief back |

Temperature

| | |
|---------------------|-------------------------------|
| Ambient temperature | -20°C ... +70°C |
| Storage temperature | -40°C ... +70°C |
| Media temperature | -40°C ... +200°C (not filled) |

Wetted parts

| | |
|-----------------------------|------------------------------------|
| Process connection material | Stainless steel 1.4404 / AISI 316L |
| Bourdon tube | Stainless steel 1.4404 / AISI 316L |

Performance

| | |
|--------------------------------|--|
| Accuracy according to EN 837-1 | Class 1.6 |
| Min. measuring range | -1 ... 0 bar |
| Max. measuring range | 0 ... 400 bar |
| Type of pressure | Gauge Compound Vacuum |
| Pressure limitation | Steady: 75 % of full scale value Fluctuating: 65 % of full scale value Short time: 100 % of full scale value |

Thermal drift (reference: +20 °C) ± 0.4 % FS/10K

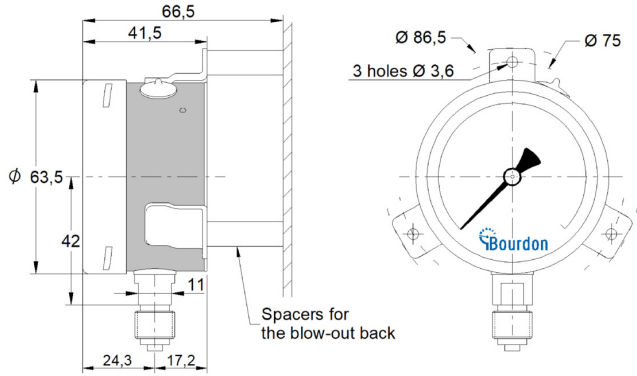
Weight

| | |
|-------|--------------------------------|
| Gauge | 180 g unfilled 280 g filled |
|-------|--------------------------------|

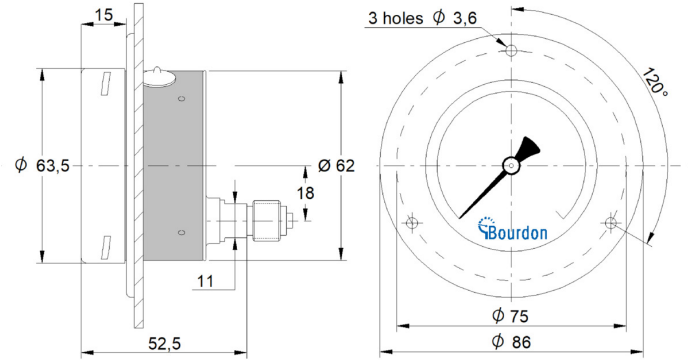
Approval / Conformities

| | |
|------|------------------|
| ATEX | Ex II 2 GDc-IM2c |
|------|------------------|

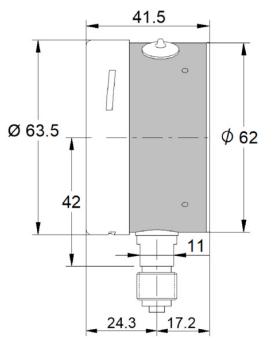
Dimensional drawings (mm)



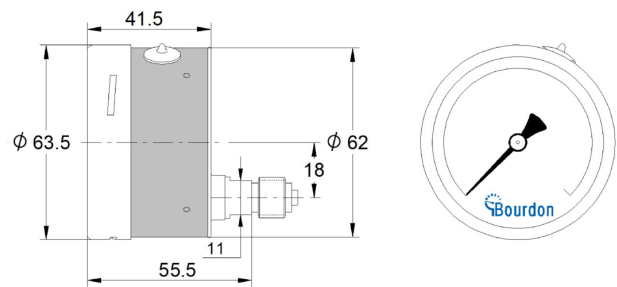
Type 1



Type 2



Type 4



Type 6

Pressure ranges

| Code | Bar |
|------|------------|
| B72 | -1 ... 0.6 |
| B74 | -1 ... 1.5 |
| B76 | -1 ... 3 |
| B77 | -1 ... 5 |
| B79 | -1 ... 9 |
| B81 | -1 ... 15 |
| B82 | -1 ... 24 |
| B15 | 0 ... 1 |
| B16 | 0 ... 1.6 |
| B18 | 0 ... 2.5 |
| B19 | 0 ... 4 |
| B20 | 0 ... 6 |
| B22 | 0 ... 10 |
| B24 | 0 ... 16 |
| B26 | 0 ... 25 |
| B27 | 0 ... 40 |
| B29 | 0 ... 60 |
| B31 | 0 ... 100 |
| B33 | 0 ... 160 |
| B35 | 0 ... 250 |
| B38 | 0 ... 400 |

| Code | kPa |
|------|----------------|
| D72 | -100 ... 60 |
| D74 | -100 ... 150 |
| D76 | -100 ... 300 |
| D77 | -100 ... 500 |
| D79 | -100 ... 900 |
| D81 | -100 ... 1 500 |
| D82 | -100 ... 2 400 |
| D15 | 0 ... 100 |
| D16 | 0 ... 160 |
| D18 | 0 ... 250 |
| D19 | 0 ... 400 |
| D20 | 0 ... 600 |
| D22 | 0 ... 1 000 |
| D24 | 0 ... 1 600 |
| D26 | 0 ... 2 500 |
| D27 | 0 ... 4 000 |
| D29 | 0 ... 6 000 |
| D31 | 0 ... 10 000 |
| D33 | 0 ... 16 000 |
| D35 | 0 ... 25 000 |
| D38 | 0 ... 40 000 |

| Code | kg/cm ² |
|------|--------------------|
| F72 | -1 ... 0.6 |
| F74 | -1 ... 1.5 |
| F76 | -1 ... 3 |
| F77 | -1 ... 5 |
| F79 | -1 ... 9 |
| F81 | -1 ... 15 |
| F82 | -1 ... 24 |
| F15 | 0 ... 1 |
| F16 | 0 ... 1.6 |
| F18 | 0 ... 2.5 |
| F19 | 0 ... 4 |
| F20 | 0 ... 6 |
| F22 | 0 ... 10 |
| F24 | 0 ... 16 |
| F26 | 0 ... 25 |
| F27 | 0 ... 40 |
| F29 | 0 ... 60 |
| F31 | 0 ... 100 |
| F33 | 0 ... 160 |
| F35 | 0 ... 250 |
| F38 | 0 ... 400 |

| Code | psi |
|------|-----------------|
| H73 | -30" Hg ... 15 |
| H75 | -30" Hg ... 30 |
| H2C | -30" Hg ... 60 |
| H78 | -30" Hg ... 100 |
| H79 | -30" Hg ... 150 |
| H81 | -30" Hg ... 220 |
| H82 | -30" Hg ... 300 |
| H15 | 0 ... 15 |
| H1C | 0 ... 20 |
| H17 | 0 ... 30 |
| H19 | 0 ... 60 |
| H21 | 0 ... 100 |
| H22 | 0 ... 160 |
| H23 | 0 ... 200 |
| H25 | 0 ... 300 |
| H26 | 0 ... 400 |
| H27 | 0 ... 600 |
| H30 | 0 ... 1 000 |
| H31 | 0 ... 1 500 |
| H34 | 0 ... 3 000 |
| H38 | 0 ... 6 000 |

Ordering reference

Ordering key - Configuration possibilities see website

| | MEP3 | - | # | # | # | . | ### |
|--|------|---|---|---|---|---|-----|
| Product | MEP3 | | | | | | |
| Case | | | | | | | |
| Case 1.4404 (316L), bottom connection back fixing for wall mounting | | | | 1 | | | |
| Case 1.4404 (316L), back connection frontflange, 3 holes for panel mounting | | | | 2 | | | |
| Case 1.4404 (316L), bottom connection | | | | 4 | | | |
| Case 1.4404 (316L), back connection | | | | 6 | | | |
| Process connection | | | | | | | |
| G 1/4 | | | | | | 2 | |
| 1/4 NPT | | | | | | 5 | |
| Damping fluid | | | | | | | |
| without | | | | | | | 0 |
| BH1, Glycerin 86 % | | | | | | | 1 |
| BH2, Glycerin 99 % | | | | | | | 2 |
| BH3, Silicone oil | | | | | | | 3 |
| Measuring range⁽¹⁾ | | | | | | | |
| bar (EN) | | | | | | | Bxx |
| kPa (EN) | | | | | | | Dxx |
| kg/cm ² (EN) | | | | | | | Fxx |
| psi (ANSI) | | | | | | | Hxx |
| bar/psi (EN) | | | | | | | Kxx |
| psi/bar (ANSI) | | | | | | | Sxx |
| MPa (EN) | | | | | | | Exx |
| psi/kPa (ANSI) | | | | | | | Vxx |
| kPa/psi (EN) | | | | | | | Wxx |

(1) Available standard pressures ranges, see table in section pressure ranges. For ranges not listed, please contact Bourdon.

Ordering example

| | MEP3 | - | 4 | 2 | 0 | . | B22 | / |
|---------------------------------------|------|---|---|---|---|---|-----|-----|
| Product | MEP3 | | | | | | | |
| Case | | | | | | | | |
| Case 1.4404 (316L), bottom connection | | | | 4 | | | | |
| Process connection | | | | | | | | |
| G 1/4 | | | | | | 2 | | |
| Damping fluid | | | | | | | | |
| without | | | | | | | 0 | |
| Measuring range | | | | | | | | |
| 0 ... 10 bar (EN) | | | | | | | | B22 |

Options

| | | | |
|------------------------------------|------|--------------------------------|------|
| ATEX II2GDc T6-IM2c ⁽¹⁾ | 0078 | 2.1 Certificate | Q001 |
| Add. gasket for panel mount | 0152 | 2.2 Certificate | Q002 |
| Polycarbonate (Makrolon) window | 0753 | 3.1 Material certificate | Q003 |
| Compensation membrane (IP67) | 0763 | 3.1 Calib. cert 5 pts (rising) | Q008 |
| Restrictor screw 0,3 mm | 0769 | 3.1 Calib. cert 5 pts (EN837) | Q009 |

(1) Only with laminated safety glass window